



**Electrolux**  
PROFESSIONAL

**Digital Cabinets**  
**400lt Line Refrigerator 1 Glass**  
**Door (0/+10) - white (60Hz)**

ITEM # \_\_\_\_\_

MODEL # \_\_\_\_\_

NAME # \_\_\_\_\_

SIS # \_\_\_\_\_

AIA # \_\_\_\_\_



**730038 (R04PVGW6M)**

1-glass door Refrigerator  
400lt, 0°+10°C, ventilated,  
R134a

**Short Form Specification**

**Item No.** \_\_\_\_\_

Exterior in white painted steel. Interior in white High Impact Polystyrene with rounded corners and 45mm thick insulation. Right hinged glass door with lock, reversible on-site. Built-in refrigeration unit; ventilated operating mode; automatic defrost and evaporation of defrost water; digital control and temperature display; internal lighting. For ambient temperatures up to 32 °C. HCFC, CFC and HFC free insulation and R134a refrigerant gas. With 2 front feet and 2 back wheels.

**Main Features**

- Digital control panel allowing the easy and precise setting and control of the internal temperature.
- Shelf runners are thermoformed and are incorporated in the internal structure to be easily cleanable.
- Model requires only 1 phase 230V supply and can be plugged straight into an existing power socket.
- Very quiet operation.
- Whole interior cell with rounded corners is white thermoformed polystyrene, which is impact resistant.
- No joints whatsoever to eliminate dirt traps.
- Simple refrigeration system easily accessible from the rear of the units.
- Fan assisted cooling for even temperature distribution.
- Model equipped with roll-bond plate that has a plate installed in the internal backside of the unit equipped with a special thermostat to avoid ice formation.
- Suitable for use in ambient temperatures of up to 32 °C.
- Connectivity ready for real time access to connected appliances from remote and data monitoring (requires optional accessory).

**Construction**

- Developed and produced in ISO 9001 and ISO 14001 certified factory.
- All models in range are finished in top quality materials to aid durability.

**Sustainability**



- CFC and HCFC free (ecological refrigerant type: R134a, - gas in foam: cyclopentane).

**Included Accessories**

- 2 of Pair of grids for 400lt refrigerator, white PNC 880292

**Optional Accessories**

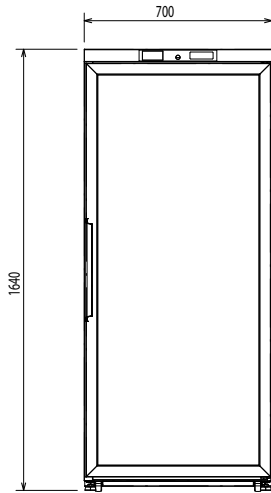
- Pair of grids for 400lt refrigerator, white PNC 880292
- Ethernet connectivity kit IJF for Refrigeration PNC 880685
- Pvc container with false bottom for 400lt PNC 881072

**APPROVAL:** \_\_\_\_\_

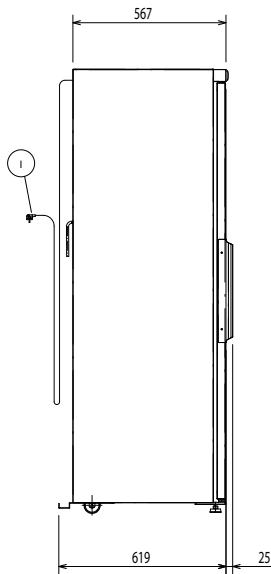


Experience the Excellence  
[www.electroluxprofessional.com](http://www.electroluxprofessional.com)

Front

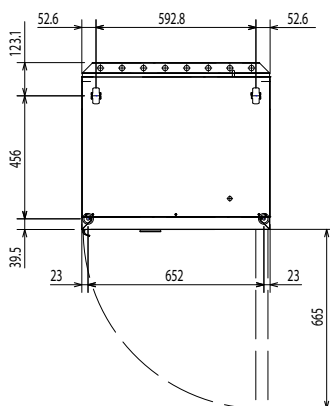


Side



EI = Electrical inlet (power)

Top



### Electric

#### Supply voltage:

730038 (R04PVGW6M) 220-230 V/1 ph/60 Hz

#### Electrical power max.:

0.26 kW

### Key Information:

Gross capacity:	400 lt
Door hinges:	Right Side
External dimensions, Width:	700 mm
External dimensions, Depth with Doors Open:	1310 mm
External dimensions, Height:	1645 mm
Number and type of grids (included):	4 - 600x400
Type of external material:	Prepainted Steel

### Refrigeration Data

Control type:	Digital
Compressor power:	1/5 hp
Refrigeration power at evaporation temperature:	-10 °C
Min/Max internal humidity:	70%/85%
Operating temperature min.:	0 °C
Operating temperature max.:	10 °C
Operating mode:	Ventilated
Cooling unit:	Built-In
Defrost type:	Automatic

### Sustainability

Noise level:	55 dBA
Refrigerant type:	R134a
Refrigeration power:	249 W
Refrigerant weight:	240 g